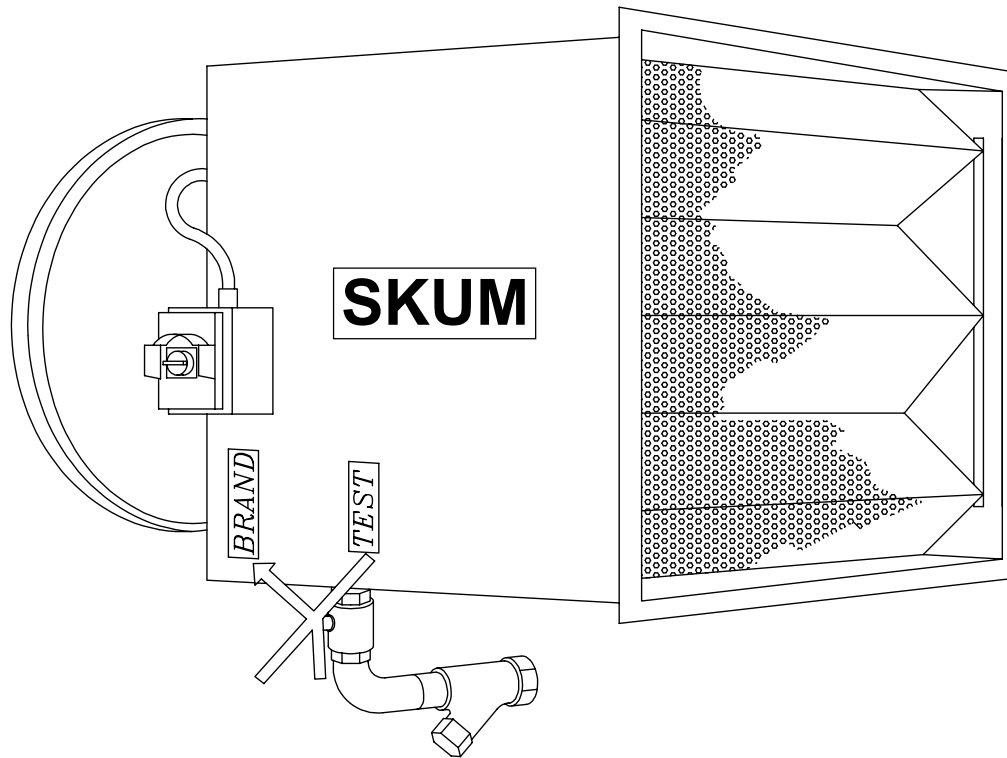


HIGH EXPANSION FOAM GENERATOR

00/01

1022/33

HiEx-300 EL



Description

The electric-driven foam generator HiEx-300 EL is designed to produce high expansion foam up to 300 m³/min.

The unit is primarily intended for wall mounting and permanent connection to a foam solution line. When not in use, the air intake is protected by a

cylinder-operated cover that automatically opens when the unit is pressurized. A test valve and strainer are included.

By moving a lever it is possible to test the function of the unit without producing foam.



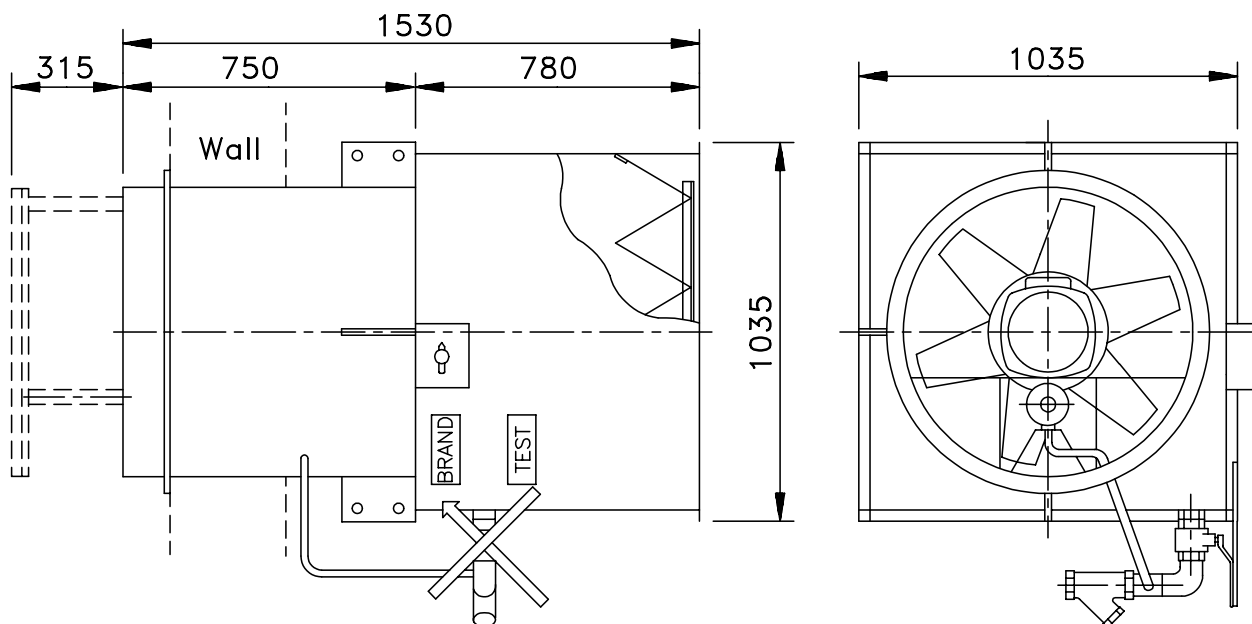
HIGH EXPANSION FOAM GENERATOR

00/01

1022/33

Dimensions

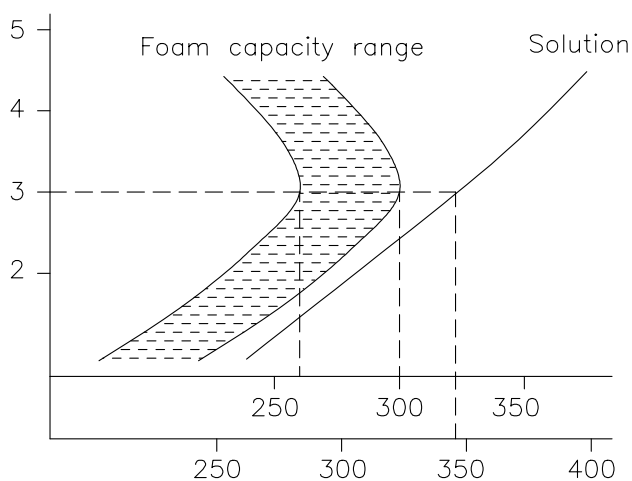
HiEx-300 EL



Performance data

1 bar = 0,1 MPa = 14,5 psi

Inlet pressure bar



Foam capacity m³ /min

Solution consumption l/min

Example: At inlet pressure 3 bar, the solution consumption is 345 l/min and the foam capacity is 260 - 300 m³/min depending on the installation conditions.

Material: Casing	Mild steel
Screen	Stainless steel
Surface treatment:	Zink primer and red 2-component paint
Electric motor:	3-phase, 3,7 kw
Connection:	Female 2" BSP
Weight:	220 kg/485 lbs



Technical changes reserved without notice

Svenska Skum AB Tel: +46 303 57700
Box 674 Fax: +46 303 58200
SE-442 18 Kungälv e-mail: info@skum.com
Sweden Internet: www.skum.com

Svenska Skum B.V Tel: +31 71 5419415
P.O. Box 2061 Fax: +31 71 5417330
NL-2301 CB LEIDEN e-mail: info@skum.nl
The Netherlands Internet: www.skum.com