

Foam Sealing Membrane SM

(replaces datasheet: 1008/8)

General description

The foam sealing membrane is designed as a wafer thin seal, easily installed between flanges, manufactured from corrosion resistant stainless steel with a PTFE membrane to be used to seal off the storage tank content from the foam line.

Application description

The sealing membrane is intended to be used as a check valve sealing off the tank product from the foam line in a subsurface system or as a gas proof check valve in an over the top foam system.

It is also an integrated part in the HSSS semi subsurface foam unit.

Product features

- Corrosion resistant construction made from stainless steel and PTFE
- Installed between DIN and/or ANSI flanges
- Low opening pressure in flow direction
- High back pressure resistance in back flow direction
- Self centre flange ring
- PTFE is resistant to most chemicals (excluding pressurised heated halogen fluorine compounds and alkali metals)

Connections

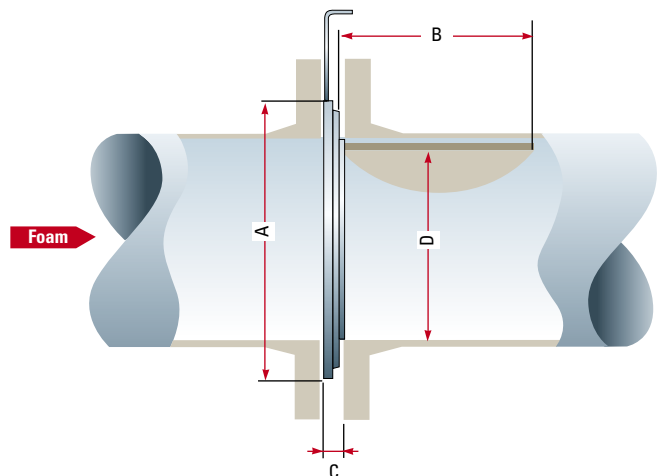
- Fits in pipework flanged according to DIN PN16, ANSI 150 lbs and mm size.
Note: Internal diameter on stainless is different from normal steel pipe sizes

Listings or approvals

- All models Factory Mutual approved



SM-100 to SM-300



| Product Data | | 100 | 150 | 200 | 250 | 300 |
|---|----------------------------------|-----------------|----------|---------|---------|---------|
| SM | | | | | | |
| Max. back pressure | | 6 bar | 6 bar | 4 bar | 3 bar | 3 bar |
| Min. required opening pressure (add static tank pressure for minimum required foam supply pressure) | | 0,4 bar | 0,25 bar | 0,2 bar | 0,2 bar | 0,4 bar |
| Fitting flanges | DIN PN 16 | 100 | 150 | 200 | 250 | 300 |
| | ANSI 150 lbs | 4" | 6" | 8" | 10" | 12" |
| Dimensions (mm) | A (outside diam.) | 162 | 220 | 275 | 328 | 376 |
| | B (min. free length inside pipe) | 100 | 150 | 200 | 250 | 300 |
| | C (excl. gaskets) | 13 | 14 | 15,5 | 19 | 20 |
| | D (min. allowed pipe diam.) | 101 | 152 | 201 | 252 | 300 |
| Weight | | 1,0 kg | 2,0 kg | 3,7 kg | 6,3 kg | 9,6 kg |
| Material | Body | Stainless steel | | | | |
| | Gate | Stainless steel | | | | |
| | Membrane | PTFE | | | | |

1 bar = 0,1 MPa = 14,5 psi

