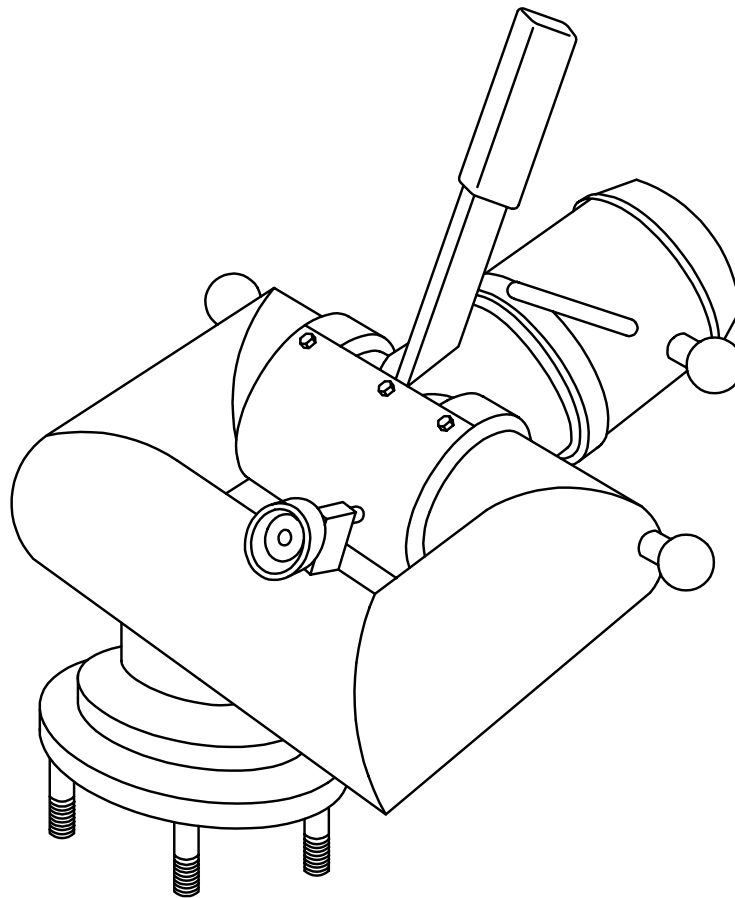


**FJM-80  
FJM-80 S****Description**

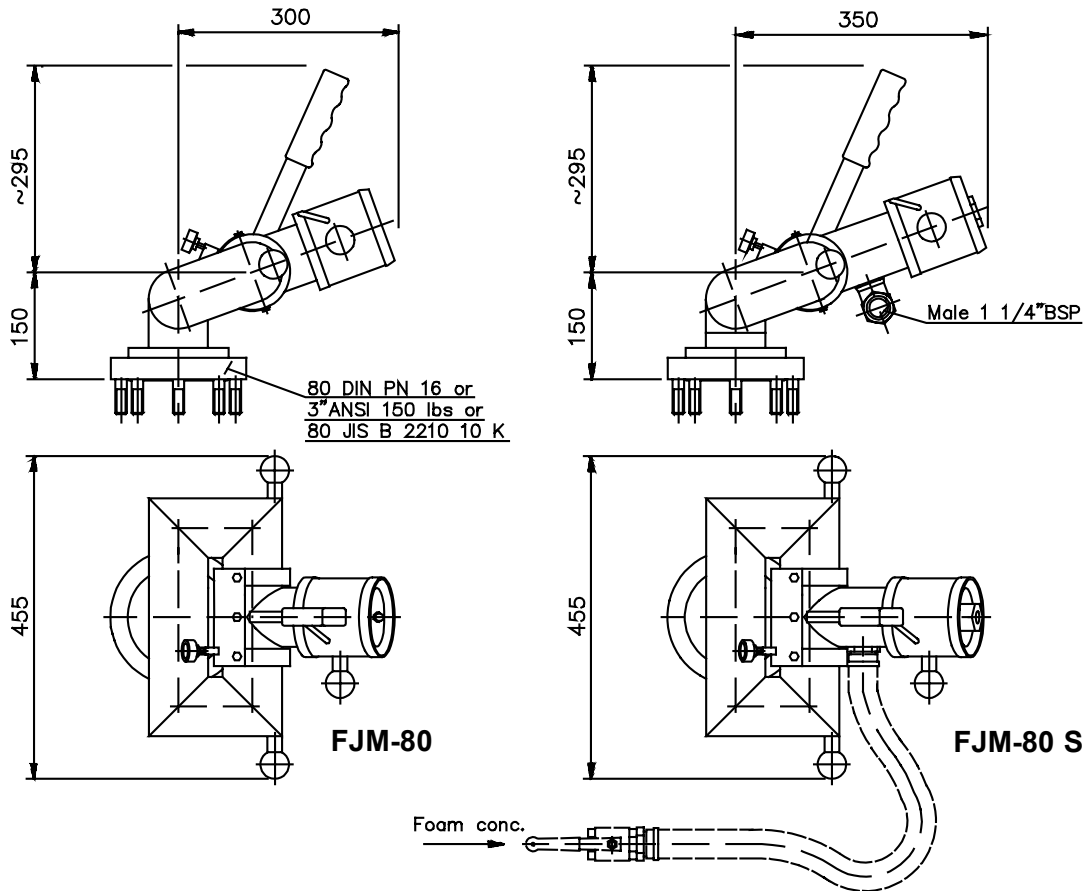
The fog/jet fire monitor FJM-80 and FJM-80 S are powerful units with exceptional good throw characteristics. They are designed for an optimized delivery of water or foam in a solid jet as well as in a spray pattern. The monitors are of low weight due to the welded stainless steel construction. FJM-80 and FJM-80 S are intended for fixed mounting. They have a wide capacity range, which

can easily be adjusted on site, to suit the local conditions. The FJM-80 S has an integrated foam concentrate inductor, eliminating the need for a separate proportioning system.

When running with foam the FJM-80 S shall be adjusted to nominal capacity for accurate proportioning.

## Dimensions

## FJM-80 FJM-80 S



## Performance data

1 bar = 0,1 MPa = 14,5 psi

Water capacity:	up to 3700 lit./min. at 10 bar
Max. working pressure:	16 bar/235 psi
Rotation:	360 degrees
Elevation:	FJM-80 -60 to +90 degrees FJM-80 S -45 to +90 degrees
Inlet connection water:	80 DIN PN 16 or 3" ANSI 150 lbs or 80 JIS B 2210 10 K
Material: Body	Stainless steel
Nozzle, bearings	Bronze
Surface treatment:	Primer and red 2-component paint
Net weight approx:	FJM-80 14 kg/31 lbs, FJM-80 S 15 kg/33 lbs
Nozzle manually adjustable:	From jet to fog

### FJM-80 S

Foam concentrate induction:	Max. 6%
Inlet connection foam:	Male 1 1/4" BSP
Suction hose and valve:	Optional

Water balanced slide bearings for rotation and elevation.



Technical changes reserved without notice