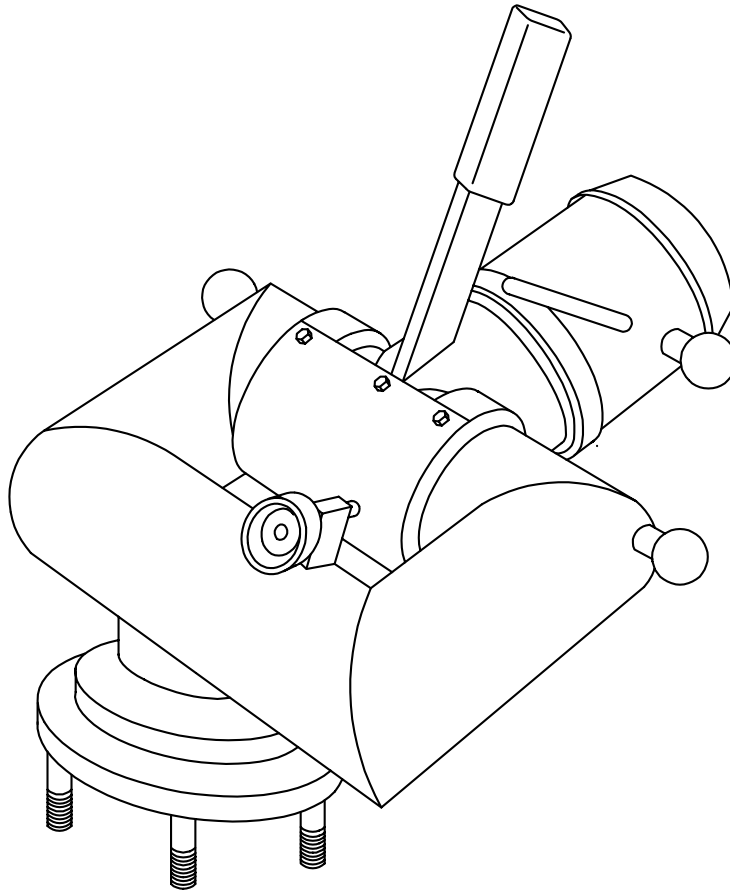


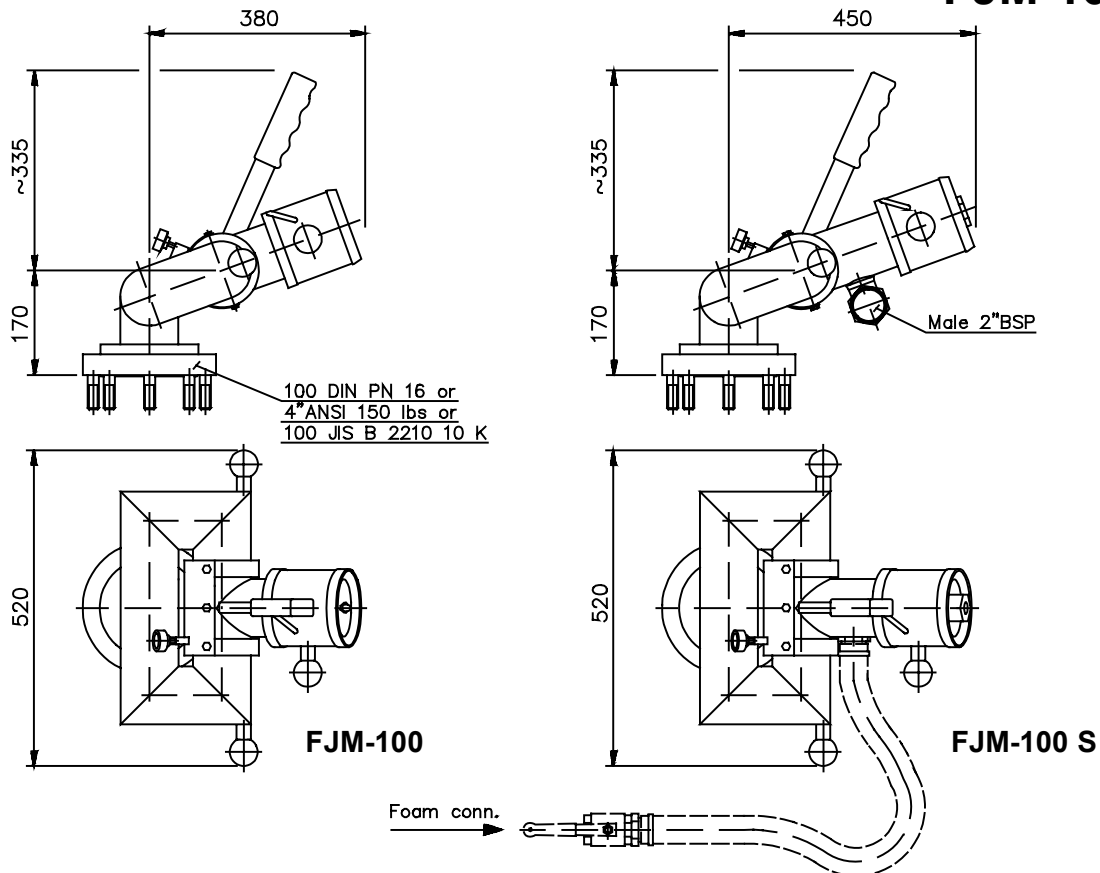
**FJM-100
FJM-100 S**

Description

The fog/jet fire monitor FJM-100 and FJM-100 S are powerful units with exceptional good throw characteristics. They are designed for an optimized delivery of water or foam in a solid jet as well as in a spray pattern. The monitors are of low weight due to the welded stainless steel construction. FJM-100 and FJM-100 S are intended for fixed mounting. They have a wide capacity range which

can easily be adjusted on site, to suit the local conditions. The FJM-100 S has an integrated foam concentrate inductor, eliminating the need for a separate proportioning system.

When running with foam the FJM-100 S shall be adjusted to nominal capacity for accurate proportioning.

Dimensions**FJM-100
FJM-100 S****Performance data****1 bar = 0,1 MPa = 14,5 psi**

| | |
|-----------------------------|--|
| Water capacity: | up to 6000 lit./min. at 10 bar |
| Max. working pressure: | 16 bar/235 psi |
| Rotation: | 360 degrees |
| Elevation: | FJM-100 -60 to +90 degrees FJM-100 S -45 to +90 degrees |
| Inlet connection water: | 100 DIN PN 16 or 4"ANSI 150 lbs or 100 JIS B 2210 10 K |
| Material: | Body: Stainless steel Nozzle, bearings: Bronze |
| Surface treatment: | Primer and red 2-component paint |
| Net weight approx: | FJM-100 22 kg/49 lbs, FJM-100 S 24 kg/53 lbs |
| Nozzle manually adjustable: | From jet to fog |

FJM-100 S

| | |
|-----------------------------|-------------|
| Foam concentrate induction: | Max. 6% |
| Inlet connection foam: | Male 2" BSP |
| Suction hose and valve: | Optional |

Water balanced slide bearings for rotation and elevation.



Technical changes reserved without notice