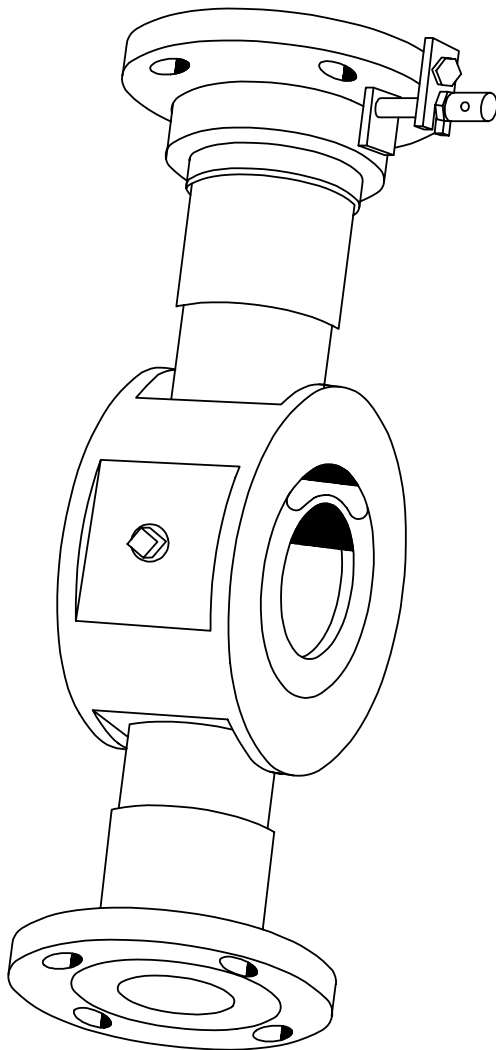


TP-100/50
TP-150/50
TP-200/80
TP-250/80



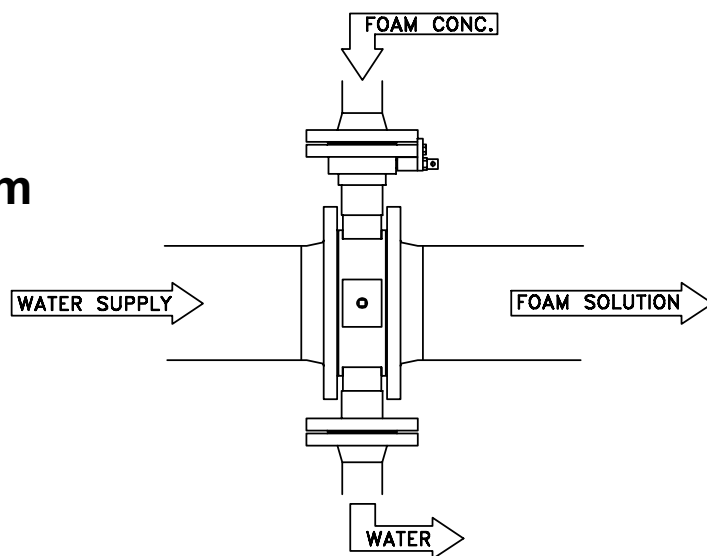
Description

The measuring part TP is the basic foam concentrate proportioning unit in the Skum bladder tank foam proportioning system.

The TP shall be mounted between flanges in the fire water supply line, and is a maintenance-free construction with body in high quality bronze as standard.

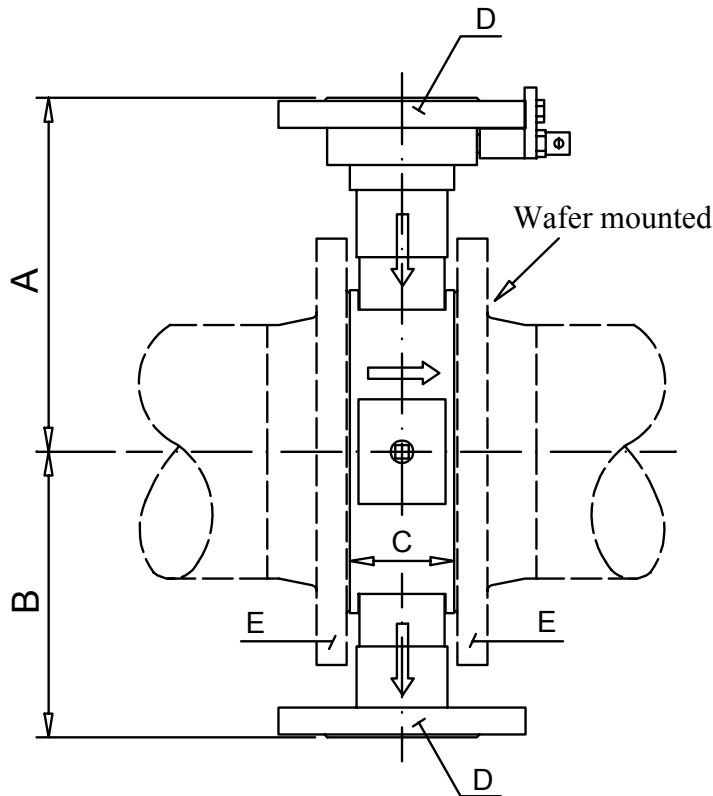
The foam concentrate proportioning can easily be set to desired percentage, normally between 1 and 6 %, by adjusting the integrated foam concentrate regulating nozzle.

Principle flow diagram



Dimensions

TP-100/50
TP-150/50
TP-200/80
TP-250/80



DIMENSIONS	A mm	B mm	C mm
TP-100/50	209	173	70
TP-150/50	241	198	70
TP-200/80	291	243	82
TP-250/80	323	276	82

Performance data

1 bar = 0,1 MPa = 14,5 psi

TYPE	Connection		Capacity				Weight		Proportioner k-factor
	mm/inch		Min.		Max.*		kg	lbs	
	D	E	l/min	USGPM	l/min	USGPM			
TP-100/50	50/2"	100/4"	770	203	4900	1295	20	44	4040
TP-150/50	50/2"	150/6"	1500	396	9800	2589	25	55	7970
TP-200/80	80/3"	200/8"	2875	760	21100	5575	43	95	17255
TP-250/80	80/3"	250/10"	5100	1345	33100	8745	51	113	27060

* At proportioner system pressure drop 1,5 bar

$$\frac{Q \text{ lit./min.}}{\sqrt{P \text{ bar}}} = \text{k-factor}$$

Max. working pressure

16 bar/235 psi

Materials:

Bronze, stainless steel



Technical changes reserved without notice