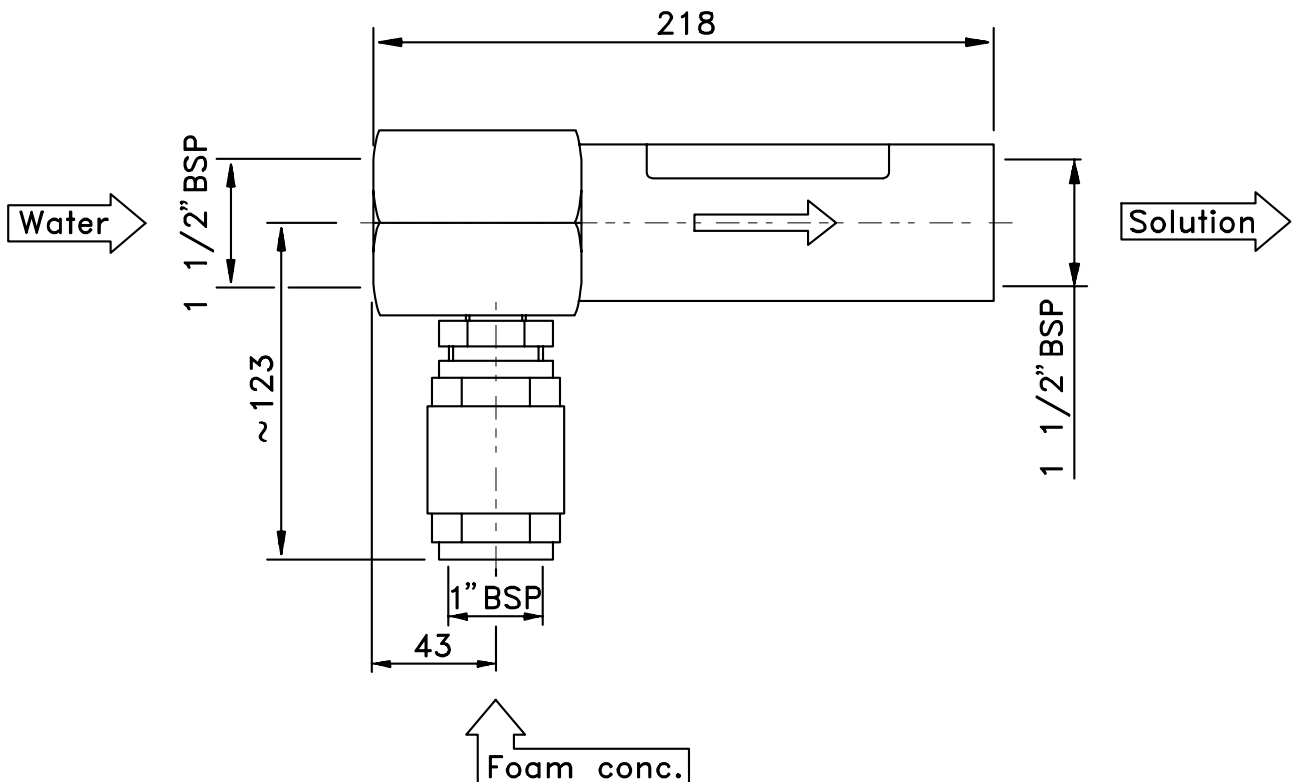


Description

The basic function of this inline inductor is to inject foam concentrate into a water line. It provides a simple and dependable means of injection. The MI inductor is designed to handle high counter pressures, related to the inlet pressure, meaning that a long distance between

inductor and the foam generator can normally be tolerated.

Each inline inductor is calibrated for a given fixed flow/pressure relation. It can be connected anywhere in the main water line between the pressure water source and the foam generator(s).

Dimensions**MI-40****Performance data****1 bar = 0,1 MPa = 14,5 psi**

Working pressure:	Max 16 bar/232 psi
Water capacity at 16 bar	Max 1450 l/min - 382 USGPM
Proportioning	Max 6 %:
Pressure drop:	Approx. 35 % of inlet pressure
Material:	Brass
Connection:	
Water	Female 1 1/2" BSP
Foam concentrate	Female 1" BSP
Weight	5,5 kg/12 lbs
Foam concentrate check valve included.	
Optional: Foam conc. suction hose.	



Technical changes reserved without notice