

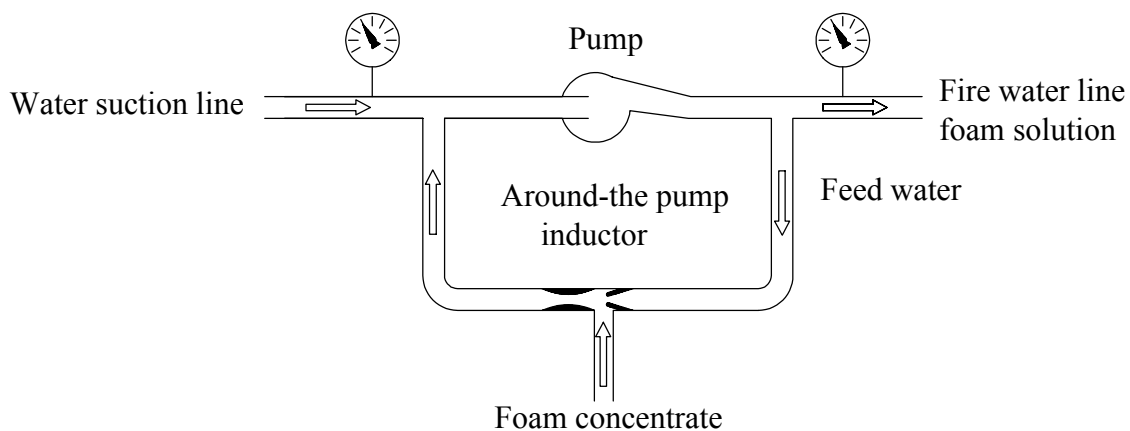
Description

The around-the-pump inductor is a foam concentrate proportioning unit, designed to be connected in a by-pass between the pressure and suction side of the fire water pump. This system enables just a small part of the total water flow, the feed water, to pass through the around-the-pump inductor without causing

any pressure drop in the water line.

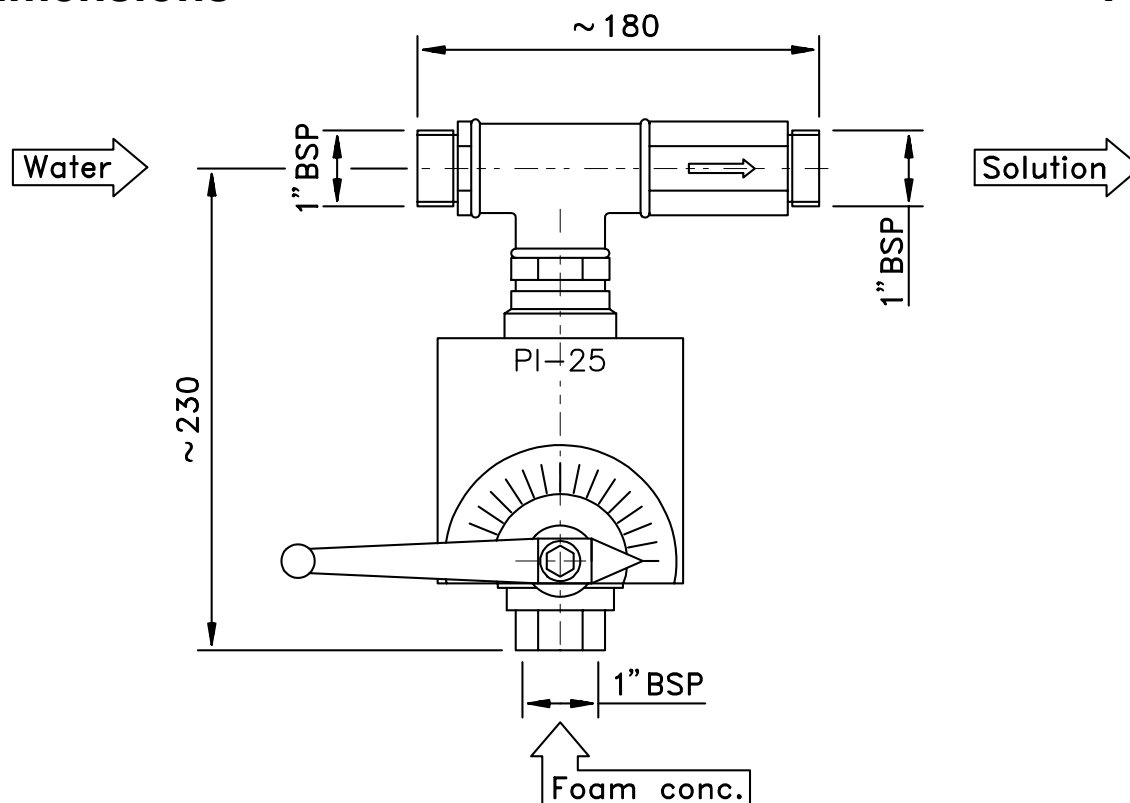
The PI-25 has an adjustable foam concentrate suction capacity of up to 65 l/min corresponding to 3 % at a water flow of 2160 l/min or 6 % at a water flow of 1080 l/min. Other applications with the around-the-pump inductor are possible.

Principle flow diagram



Dimensions

PI-25



Performance data

1 bar = 0,1 MPa = 14,5 psi

Feed water capacity				Max. induction capacity	
Bar	psi	l/min	USGPM	l/min	USGPM
6	87	76	20	65	17
8	116	88	23	65	17
10	145	98	26	65	17
12	174	107	28	65	17

Max. counter pressure: 0,5 bar/7,2 psi
 Max. working pressure: 16 bar/232 psi
 Material Inductor: Brass
 Foam concentrate valve: Brass
 Connection: Water: Male 1" BSP
 Foam concentrate: Female 1" BSP
 Weight: 3 kg/6,6 lbs



Technical changes reserved without notice