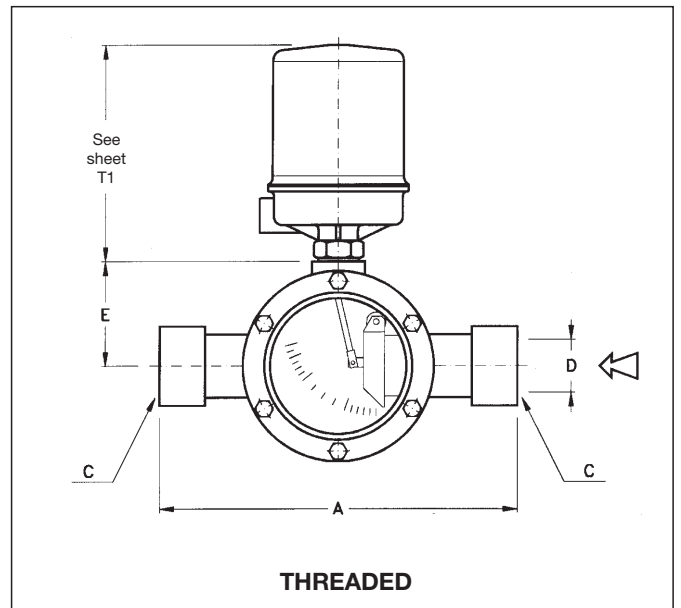
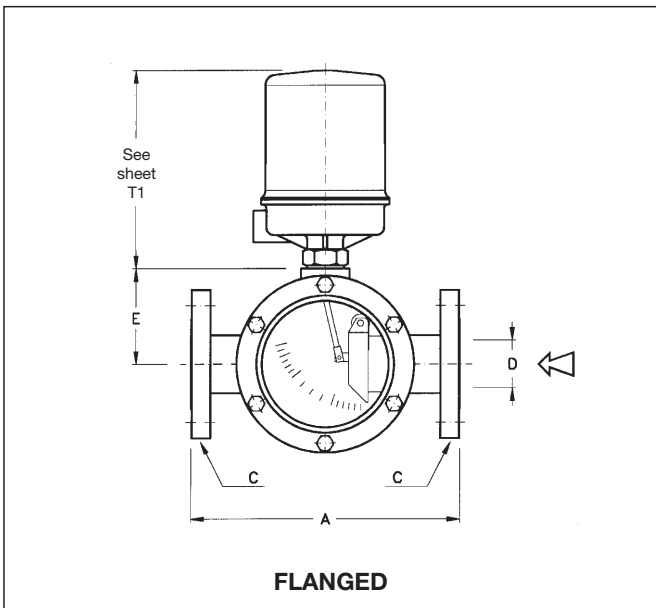


TGO SERIES FLOW ALARM SWITCHES

Paddle type flow switch for liquids, with flow indicator, for max. or min. flow alarm, with a single switching unit, with output on SPDT switch.

TECHNICAL DATA

- horizontal mounting
- single switching unit (on request, two SPDT switches with simultaneous action can be supplied)
- set point can be adjusted to between 10 ÷ 60% of max. flow rate (Q).
- fixed differential for each set point with value variable between 20 ÷ 50% of max. flow rate (Q)
- accuracy of flow indication: $\pm 15\%$ of f.s
- calibrating liquid: water
- set point accuracy $\pm 5\%$ of max. flow rate (Q)
- max. temperature 130°C
- max. pressure 10 Bar
- max. pressure drop 500 mm H₂O
- gaskets in neoprene



MODEL	FLANGED				THREADED			E mm	Q max m ³ /h H ₂ O
	A mm	D		WEIGHT in ~ kg	A mm	D	WEIGHT in ~ kg		
		UNI	ANSI						
TGO 50	280	50	2"	15	340	2"	10	100	20
TGO 65	300	65	2 1/2"	19,5	370	2 1/2"	14	100	30
TGO 80	330	80	3"	27	400	3"	21	115	50
TGO 100	380	100	4"	34	-	-	-	130	100

Std. "C" connections: flange UNI PN 10/ANSI 150 RF - threaded GAS/NPTF.

On request, flanges with a higher rating can be supplied.



MATERIALS

CODE FOR:	Materials	Carbon steel	AISI 304	AISI 316
	Body	A	I	J
	Paddle and leverage	-	-	2

ON REQUEST, VERSION PLASTIC (PVC - MOPLN - PVDF) CAN BE SUPPLIED

SWITCHES

Type	Mercury switch	Dry microswitch					Pneumatic switch*	
Load rating	220 V a. c. 10 A 110 V d. c. 1,5 A	250 V a. c. 10 A 125 V d. c. 0,5 A	125 V d. c. 10 A	250 V a. c. 10 A 125 V d. c. 0,5 A waterproof IP 67	125 V a. c. 1 A 28 V d. c. 1 A waterproof with gold contacts	250 V a. c. 1 A 24 V d. c. 5 A sealed with inert gas	output: 0 ÷ 40 psi max.	
CODE	VD	M2	M3	M4	M6	M14	PN brass	PN1 inox

* Air inlet and output connection 1/4" NPTF - No bleed type

ENCLOSURES

Type	Waterproof	Explosion-proof	The (WP) enclosures can be supplied with gland or with a 3 or 7 pole connector as per MIL standards. The (EP) enclosures can be supplied with explosion-proof gland. 1) CESI certificate N.02-ATEX-126
Material	Aluminium	Aluminium	
Electrical connection	1/2" NPTF/GAS 3/4" NPTF/GAS ISO M20x1.5	1/2" UNI 6125/NPTF 3/4" UNI 6125/NPTF ISO M20x1.5	
Protection degree	IP 66	1) II 2G EEx-d IIC T6 IP66	
CODE	WP	EP	

HOW TO ORDER:

Example: TGO 50 - A - 2 - M2 - WP

TGO 50 model
 A body in carbon steel
 2 paddle and internal leverage in S/steel AISI 316
 M2 dry microswitch 250 V a. c. 10 A
 WP waterproof enclosure

The following data are required: type of liquid, specific weight, viscosity, temperature, pressure, working flow rate and required set point.

ob OFFICINE OROBICHE S.p.A.

24010 Ponteranica (Bergamo) ITALY - via Serena, 10 - Tel. 0039.035.4530.211 - Fax 0039.035.570546
 www.officineorobiche.it e-mail: info@officineorobiche.it

Information subject to change without prior warning