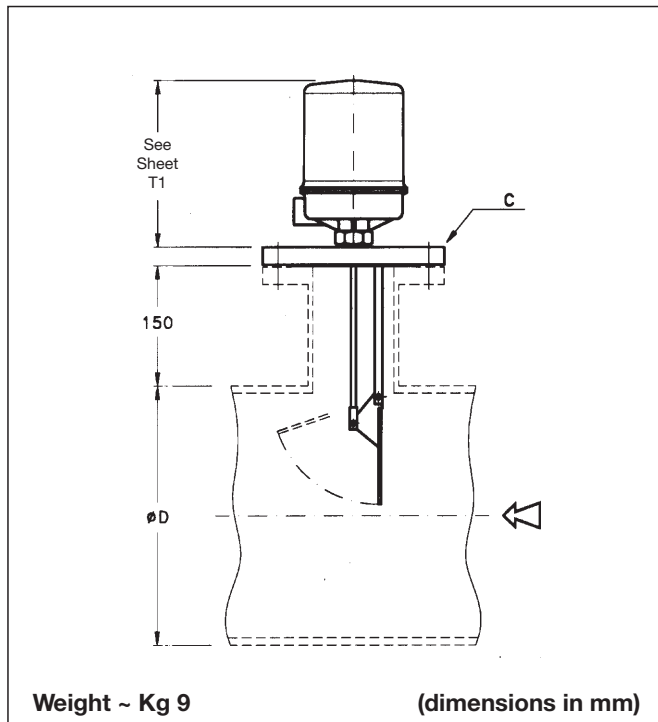


## PL SERIES FLOW ALARM SWITCHES

Paddle type flow switch for water, with max. or min. flow alarm, with a single switching unit, and with output on SPDT switch.

### TECHNICAL DATA

- horizontal mounting
- single switching unit (on request, two SPDT switches with simultaneous action can be supplied)
- fixed set point
- fixed differential
- repeatability of set point  $\pm 5\%$
- max. temperature 135°C
- pressure: see rating for flanges
- max. pressure drop 500 mm H<sub>2</sub>O
- used for pipe of min. DN 100
- special versions made for air flow



"C" FLANGE CONNECTIONS UNI DN 80-100/ANSI 3" - 4"	MODEL	SCH 40 PIPE/SET m <sup>3</sup> /h					SCH 80 PIPE/SET m <sup>3</sup> /h				SCH 120 PIPE SET m <sup>3</sup> /h		DIFFERENT.	LIQUID	SET m <sup>3</sup> /sec
		ø D					ø D				ø D				
		4"	6"	8"	10"	12"	4"	6"	10"	12"	8"	10"			
PL 1	-	7÷43	12÷75	20÷115	30÷170	-	6÷38	17÷100	25÷150	10÷60	16÷95	25%	H <sub>2</sub> O	0,1÷0,6	
PL 2	12÷26	27÷60	47÷100	75÷160	110÷230	10÷24	25÷52	70÷140	100÷200	40÷80	60÷130	20%	H <sub>2</sub> O	0,4÷0,9	
PL 3	12÷29	27÷67	47÷110	75÷180	110÷260	10÷25	25÷60	70÷160	100÷230	40÷90	60÷140	20%	H <sub>2</sub> O	0,4÷1,0	
PL 4	33÷78	74÷180	130÷310	205÷490	290÷700	30÷70	70÷160	190÷400	270÷600	110÷250	170÷400	20%	H <sub>2</sub> O	1,1÷2,7	
FLANGE RATING	ANSI 150 PN 16	x	x	x	x	x							x = available version		
	ANSI 300 PN 25	x	x	x				x	x						
	ANSI 600 PN 64						x	x		x	x	x			

On request, flanges with higher rating can be supplied and threaded connections



## MATERIALS

CODE FOR:	Materials	Carbon steel	AISI 304	AISI 316
	Body	A	I	J
	Paddle and leverage	-	-	2

## SWITCHES

Type	Mercury switch		Dry microswitch				Pneumatic switch*	
Load rating	220 V a. c. 10 A 110 V d. c. 1,5 A	250 V a. c. 10 A 125 V d. c. 0,5 A	125 V d. c. 10 A	250 V a. c. 10 A 125 V d. c. 0,5 A waterproof IP67	125 V a. c. 1 A 28 V d. c. 1 A waterproof with gold contacts	250 V a. c. 1 A 24 V d. c. 5 A sealed with inert gas	output: 0 ÷ 40 psi max.	
CODE	VD	M2	M3	M4	M6	M14	PN brass	PN1 inox

\* Air inlet and output connection 1/4" NPTF - No Bleed type

## ENCLOSURES

Type	Waterproof	Explosion-proof	<p>The (WP) enclosures can be supplied with gland or with a 3 or 7 pole connector as per MIL standards.</p> <p>The (EP) enclosures can be supplied with explosion-proof gland.</p> <p>1) CESI certificate N.02-ATEX-126</p>
Material	Aluminium	Aluminium	
Electrical connection	1/2" NPTF/GAS 3/4" NPTF/GAS ISO M20x1.5	1/2" UNI 6125/NPTF 3/4" UNI 6125/NPTF ISO M20x1.5	
Protection degree	IP 66	1) II 2G EEx-d IIC T6 IP66	
CODE	WP	EP	

### HOW TO ORDER:

Example: PL 1 - A - 2 - M2 - WP

PL 1 model  
 A body in carbon steel  
 2 paddle and internal leverage in AISI 316  
 M2 dry microswitch 250 V a. c. 10 A  
 WP waterproof enclosures

The following data are required: temperature, pressure, working flow rate and required set point.

**ob** OFFICINE OROBICHE S.p.A.

24010 Ponteranica (Bergamo) ITALY - via Serena, 10 - Tel. 0039.035.4530.211 - Fax 0039.035.570546  
 www.officineorobiche.it e-mail: info@officineorobiche.it

Information subject to change without prior warning