

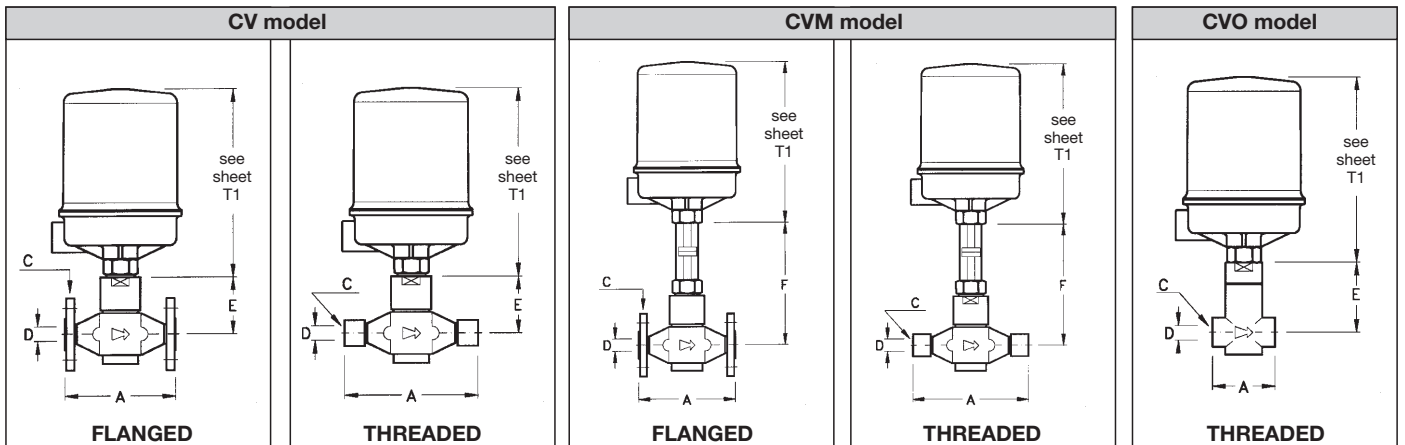
CV SERIES FLOW ALARM SWITCHES

CV - CVO - CVM Models

Body valve flow switch for water, for max. or min. flow alarms, with a single switching unit, with output on SPDT switch.

TECHNICAL DATA

- horizontal mounting
- single switching unit (on request, two SPDT switches with simultaneous action can be supplied)
- Set point can be adjusted to between $20 \div 50\%$ of max. flow rate (Q)
- fixed differential max. 30% of max. flow rate (Q)
- Accuracy: $\pm 5\%$ of max. flow rate (Q)
- max. temperature 135°C
- max. pressure 20 Bar
- max. pressure drop 4000 mm H₂O
- accuracy of flow indication $\pm 15\%$ of f.s. (only on mod. CVM)
- special versions for viscous fluids



MODEL	FLANGED				THREADED			E mm	F mm	Q max m ³ /h H ₂ O
	A mm	D		WEIGHT ⁽¹⁾ ~ kg	A mm	D	WEIGHT ⁽¹⁾ ~ kg			
		UNI	ANSI							
CV 15 - CVM 15	130	15	1/2"	5,7	160	1/2"	4,5	75	185	1
CV 20 - CVM 20	150	20	3/4"	7,7	180	3/4"	6	75	185	2
CV 25 - CVM 25	160	25	1"	9,1	200	1"	7	75	200	3
CV 32 - CVM 32	180	32	1 1/4"	8,9	230	1 1/4"	6,5	85	210	4
CV 40 - CVM 40	200	40	1 1/2"	11,3	260	1 1/2"	8,5	85	205	5
CV 50 - CVM 50	230	50	2"	15,5	290	2"	10,5	95	235	10
CVO 15	-	-	-	-	70	1/2"	4	80	-	1
CVO 20	-	-	-	-	85	3/4"	4,5	90	-	3
CVO 25	-	-	-	-	85	1"	4,5	90	-	3
CVO 40	-	-	-	-	115	1 1/2"	6	120	-	5
CVO 50	-	-	-	-	120	2"	7	140	-	10

CV model made in OT 58 only - (1) Refers to CV model

Std. "C" connections: flange UNI PN 10/ANSI 150 RF - threaded GAS/NPT-F.
On request, flanges with a higher rating can be supplied.



MATERIALS

CODE FOR:	Materials	Carbon steel	AISI 316
	Body	A	J
	Float	-	2

ON REQUEST, VERSION IN PLASTIC (PVC - MOPLN - PVDF) CAN BE SUPPLIED

SWITCHES

Type	Mercury switch	Dry microswitch					Pneumatic switch*	
Load rating	220 V a. c. 10 A 110 V d. c. 1,5 A	250 V a. c. 10 A 125 V d. c. 0,5 A	125 V d. c. 10 A	250 V a. c. 10 A 125 V d. c. 0,5 A waterproof IP67	125 V a. c. 1 A 28 V d. c. 1 A waterproof with gold contacts	250 V a. c. 1 A 24 V d. c. 5 A sealed with inert gas	output: 0 ÷ 40 psi max.	
CODE	VD	M2	M3	M4	M6	M14	PN brass	PN1 inox

* Air inlet and output connection 1/4" NPTF - No bleed type

ENCLOSURES

Type	Waterproof	Explosion-proof	The (WP) enclosures can be supplied with gland or with a 3 or 7 pole connector as per MIL standards. The (EP) enclosures can be supplied with explosion-proof gland. 1) CESI certificate N.02-ATEX-126
Material	Aluminium	Aluminium	
Electrical connection	1/2" NPTF/GAS 3/4" NPTF/GAS ISO M20x1.5	1/2" UNI 6125 / NPTF 3/4" UNI 6125 / NPTF ISO M20x1.5	
Protection degree	IP 66	1) II 2G EEx-d IIC T6 IP66	
CODE	WP	EP	

HOW TO ORDER:

Example: CV 25 - A - 2 - M2 - WP

CV25 model
A body in carbon steel
2 float in S/steel AISI 316
M2 dry microswitch 250 V a. c. - 10 A
WP waterproof enclosure

The following data are required:
temperature, pressure, working flow rate and required set point.



OFFICINE OROBICHE S.p.A.

24010 Ponteranica (Bergamo) ITALY - via Serena, 10 - Tel. 0039.035.4530.211 - Fax 0039.035.570546
www.officineorobiche.it e-mail: info@officineorobiche.it

Information subject to change without prior warning